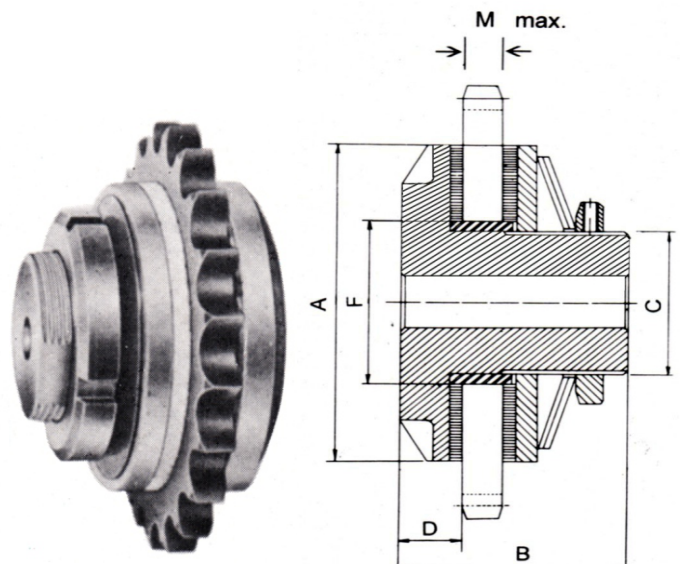


Torque limiter is a protective device that limits torque transmitted in a drive system by slipping when torque demand exceeds a preset value as a result of shock loads, over loads, or machine jams. It automatically re-engages when the over load torque has passed, no resetting is required. The Torque limiter prevents machine damage and eliminates costly downtime. The Torque limiter utilizes spring loaded friction surfaces for its operations; slip torque is preset by adjustment of the spring force. The Torque limiter can be used with a sprocket, gear, sheave or flange plate as a center member that is clamped between two friction facings.



CAPACITIES & DIMENSIONS

TORQUE LIMITER SIZE	TORQUE CAPACITY (KG. M.)		PILOT MIN. BORE	MAX. BORE	APPROX WT. KG.	A	B	C	D	M. MAX.	'F' SPROCKET BORE DIA. OVER BUSHING
	MIN.	MAX.									
50-1	0.3	1.5	8.0	14	0.3	50	29	24	4	7.2	30.10
50-2	0.6	2.5	8.0	14	0.3	50	29	24	6.5	7.2	30.10
65-1	0.7	2.8	10.0	22	0.5	65	50	35	15	8.8	41.40
65-2	1.4	5.5	10.0	22	0.5	65	50	35	15	8.8	41.40
90-1	2.0	7.0	12.0	28	1.5	90	65	45	18	16.0	52.00
90-2	3.5	14.0	12.0	28	1.5	90	65	45	18	16.0	52.00
125-1	5.0	18.0	16.0	38	3.5	125	78	60	23	16.0	70.00
125-2	6.5	36.0	16.0	38	3.5	125	78	60	23	16.0	70.00
150-1	7.5	44.0	20.0	42	5.5	150	90	70	26	23.0	80.00
150-2	9.0	61.0	20.0	42	5.5	150	90	70	26	23.0	80.00
180-1	11.0	58.0	25.0	64	10.0	180	110	100	28	28.5	110.00
180-2	20.0	110.0	25.0	64	10.0	180	110	100	28	28.5	110.00
225-1	22.0	140.0	25.0	92	20.0	230	120	140	33	28.5	152.00
225-2	40.0	175.0	25.0	92	20.0	230	120	140	33	28.5	152.00

MINIMUM SIZE SPROCKETS TO FIT ON TORQUE LIMITERS

TL 50	TL 65	TL 90	TL 125	TL 150	TL 180	TL 225
6B 20T 8B 16T 10B 14T	6B 25T 8B 20T 10B 16T	6B 33T 8B 30T 10B 21T 12B 19T 16B 15T	8B 35T 10B 30T 12B 25T 16B 19T	8B 42T 10B 34T 12B 30T 16B 22T 20B 19T 24B 17T	8B 48T 10B 39T 12B 33T 16B 26T 20B 21T 24B 18T	8B 60T 10B 50T 12B 33T 16B 26T 20B 32T 24B 23T

B.V. Transmission Industries

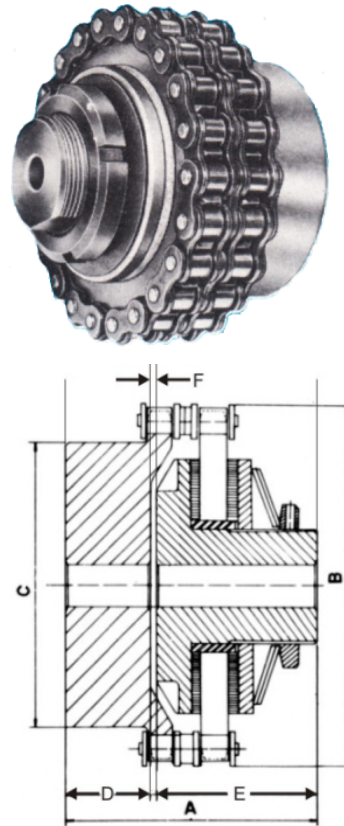
Unit 18 , Khyati Industrial Estate,
Laxmi Nagar, Link Road , Goregaon West,
Mumbai - 400104, Maharashtra , India

Tel : +91- 22-28762345
Tel : +91- 22-28767941
☎ : +91- 93247 18035
☎ : +91- 98206 92004

email :: sales@bvchains.com
bvchain@gmail.com
web:: www.bvchains.com

TORQUE LIMITER COUPLING

BVCHAINS Offers a Torque Limiter coupling in 14 sizes. This device consists of a stock Torque Limiter and a roller chain type coupling. The Torque Limiter coupling combines overload slip-protection with the ability to couple driving and driven shafts. It is an assembly consisting of a standard Torque Limiter and a roller chain coupling. A stock ground plate sprocket serves as the center member of the Torque Limiter, and it is coupled to a sprocket by an I.S. double strand roller chain which is easily connected by a standard connecting link. This construction provides a dependable and easy-to-assemble flexible coupling having shaft misalignment compensation



Catalogue No.	Misalignment		Torque capacity Kg. m.		Stock Min. Plain Bore		Max. Bore		Dimensions (mm)						Approx. wt.
	Max. Parallel	Max. Angular	Min.	Max.	Cplg. Spkt (mm)	Torque Limiter	Cplg. Spkt (mm)	Torque Limiter (mm)	A	B	C	D	E	F	Kgs.
50-1C 50-2C	0.2	1/2°	0.3 0.6	1.5 2.5	10	8	28	14	53	77	50	17	29	2	1.0
65-1C 65-2C	0.25	1/2°	0.7 1.4	2.8 5.6	10	10	48	22	78	100	74	30	50	3	2.0
90-1C 90-2C	0.30	1/2°	2.0 3.5	7.0 14.0	19	12	56	28	107	136	100	45	65	3	6.50
125-1C 125-2C	0.38	1/2°	5.0 6.5	18.0 36.0	22	16	70	38	122	185	145	48	78	3	13.0
150-1C 150-2C	0.38	1/2°	7.5 9.0	44.0 61.0	25	20	90	42	141	214	168	48	90	3	21.0
180-1C 180-2C	0.50	1/2°	11.0 22.0	58.0 110.0	25	25	100	64	173	247	195	62	110	3	34.0
225-1C 225-2C	0.50	1/2°	20.0 40.0	140.0 175.0	40	25	160	92	204	309	244	82	120	3	65.0

B.V. Transmission Industries

Unit 18 , Khyati Industrial Estate,
Laxmi Nagar, Link Road , Goregaon West,
Mumbai - 400104, Maharashtra , India

Tel : +91- 22-28762345
Tel : +91- 22-28767941
☎ : +91- 93247 18035
☎ : +91- 98206 92004

email :: sales@bvchains.com
bvchain@gmail.com
web:: www.bvchains.com